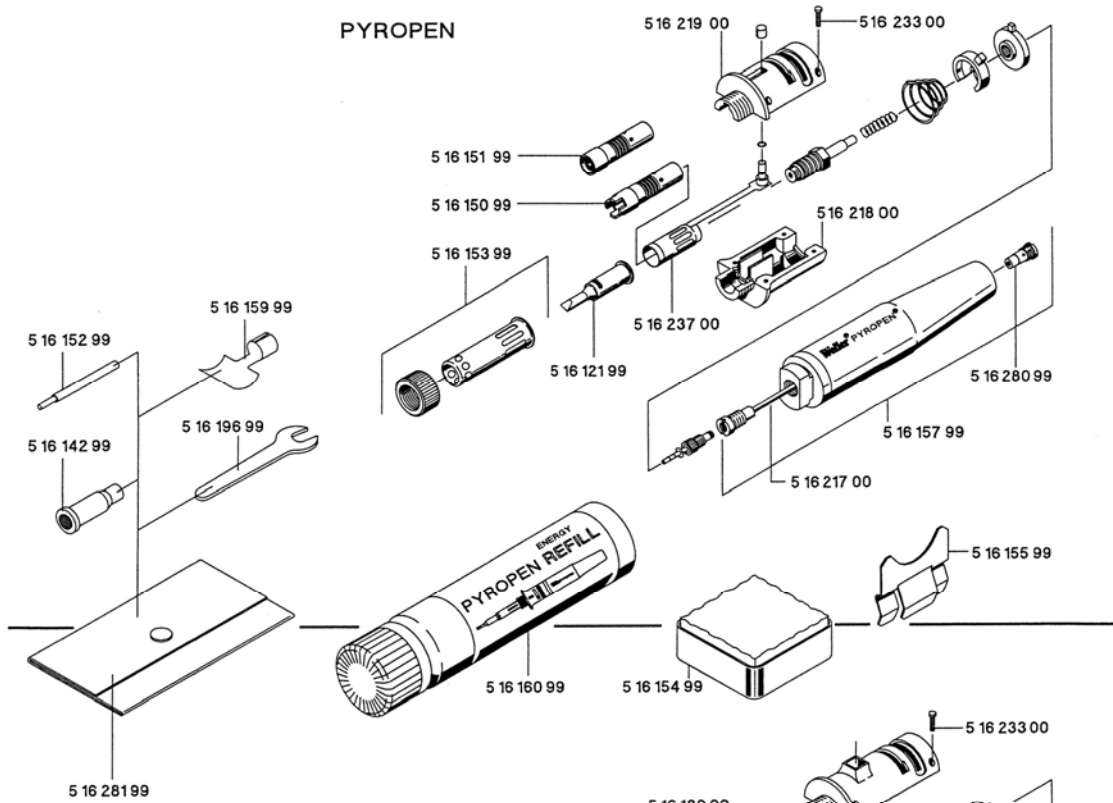
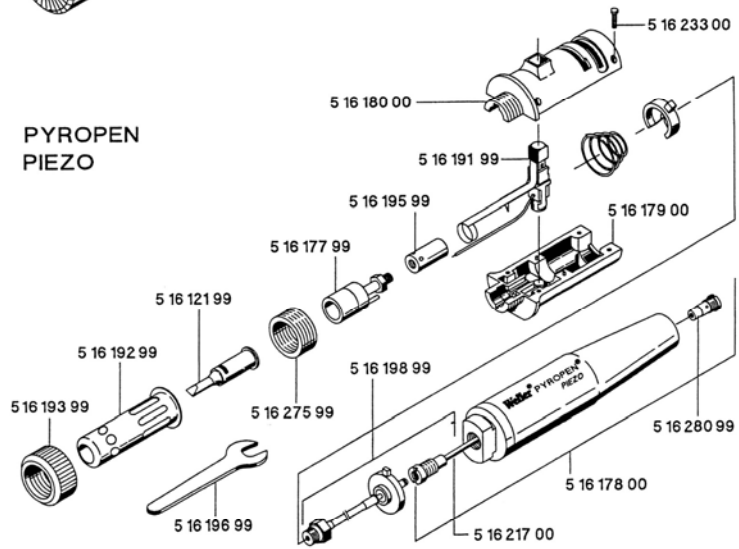


PYROPEN



PYROPEN PIEZO



4D2R210/4

4D2R210/4
06.10.01 / Martin